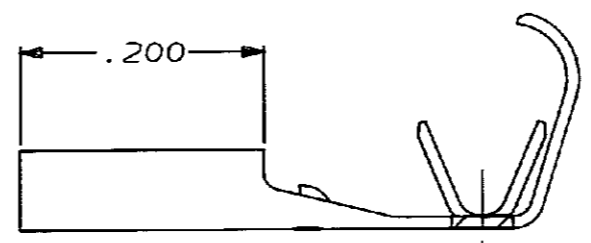
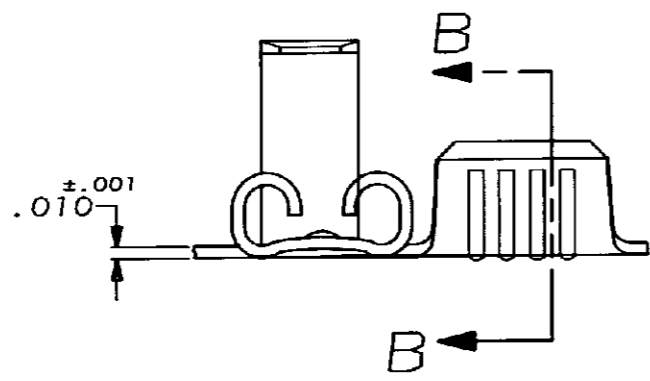
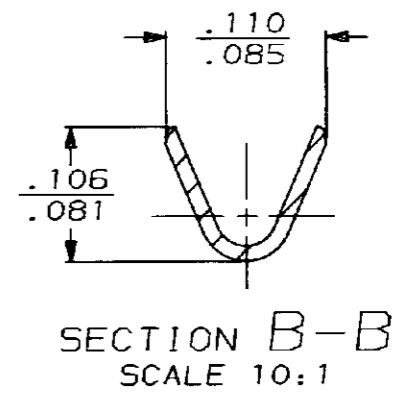
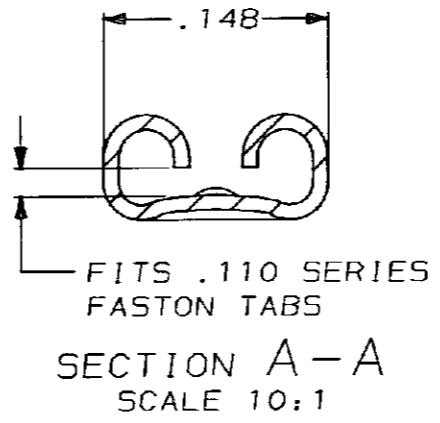
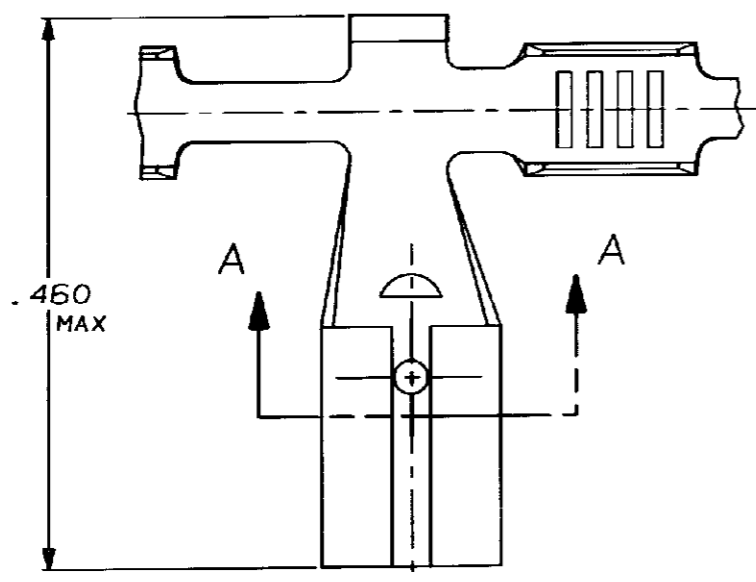


DRAWING MADE IN THIRD ANGLE PROJECTION

THIS DRAWING IS UNPUBLISHED. RELEASED FOR PUBLICATION .19
 © COPYRIGHT 19 BY AMP INCORPORATED. ALL INTERNATIONAL RIGHTS RESERVED.

LOC	DIST	P	F	ZONE	LTR	DESCRIPTION	DATE	APPD
AF	50				B	REDRAWN AF-7403	4/24/91	JR

1 CONTINUOUS STRIP ON REELS



.065-.100 DIA	22-18 AWG	.020	61372-1
INSULATION RANGE	WIRE SIZE	MATING TAB THK ±.001	PART NO
DO NOT SCALE PRINT. UNLESS SPECIFIED DIMENSIONS ARE IN INCHES TOLERANCES ON: 2 PLC DEC ± - 3 PLC DEC ± .015 ANGLES ± -	DR 4/24/91 JR RUTH	AMP AMP Incorporated Harrisburg, PA 17105-3608	
	CHK 4/24/91 MS FEHER		
	APPD 4/24/91 C MEYERS	NAME RECEPTACLE, FASTON, FLAG, .110 SERIES	
	APPD 4/24/91 D REINER		
MATERIAL #4H BRASS	PRODUCT SPEC -	SIZE B	CAGE CODE 00779
FINISH PRE-TIN	APPLICATION SPEC -	DRAWING NO 61372	SCALE 8:1
	WEIGHT -	SHEET 1 OF 1	

CUSTOMER DRAWING